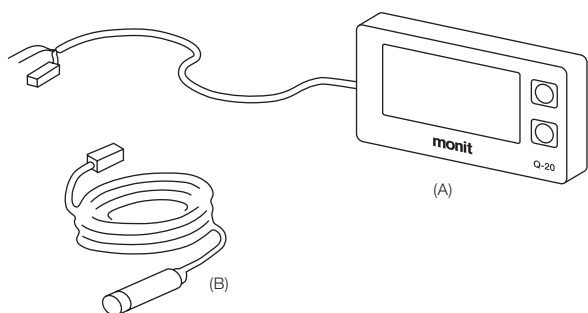


## Installation Guide

**Warning:** Incorrect installation may result in serious damage being caused to both the product and your vehicle's electrical system. It is strongly recommended that you seek the services of a qualified automotive electrician to carry out this work.

### ① Before You Start

Check that you have the items shown below. You will also need a selection of tools and a safe place to work.



(A) Rally Computer; (B) Speed Sensor

### ② Fitting to the Vehicle

Securely attach the Q-10/20 to the interior of your vehicle. The most common locations for this are either on the dashboard or the passenger door frame.

When fitting the device, ensure that:

- It will not come free of its mounting during an accident. There are two M4 bosses on the back that can be used to fasten it securely.
- It does not interfere with any of the vehicle's safety equipment.
- The co-driver can operate it comfortably while seated.

**Warning:** If the vehicle still has airbags fitted, do not place the device over the covers from which these are deployed. Doing so could result in serious injury in the event of a collision.

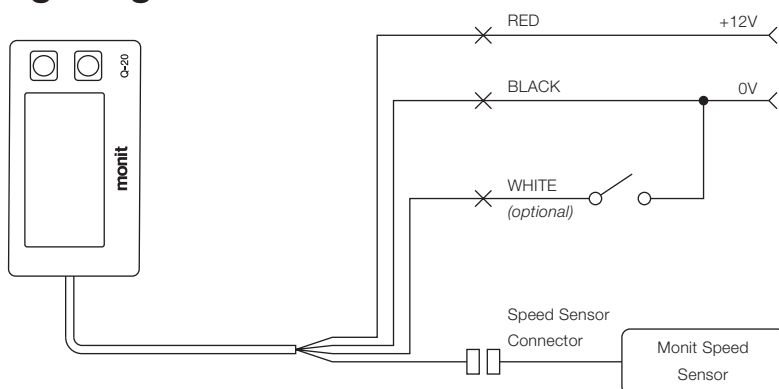
### ③ Electrical Connections

All electrical connections to the Q-10/20 are made through the color-coded wiring loom attached to the device. Connect this loom to your vehicle's electrical system as shown in the wiring diagram below.

### ④ Final Checks

Before you apply power to the system check all your electrical connections and ensure that any exposed wires in the circuit are covered with insulation tape or heat-shrink.

## Wiring Diagram



- Connect to a fused (1Amp) 12 Volt power source that is able to supply power when the ignition is turned off.
- Use a common ground point for all parts of the circuit. Do not use the vehicle's chassis.
- (Optional) Attach a hand or foot switch to the white Auxiliary Input wire. Any type of switch can be used.
- Speed Sensor Connector colors:  
Orange—5V  
Green—0V  
Blue—Speed Signal

## Troubleshooting

### 'Error: No pulses detected' message appears during calibration.

The Q-10/20 is not detecting any signal from the speed sensor. Check your connections and the instructions supplied with the speed sensor.

### The distance is not consistent / The distance increments when my vehicle is stationary.

The Q-10/20 works by counting the pulses produced by a speed sensor. Noise from other parts of your vehicle's electrical system can interfere with this signal and cause distance measurement errors.

To solve the problem:

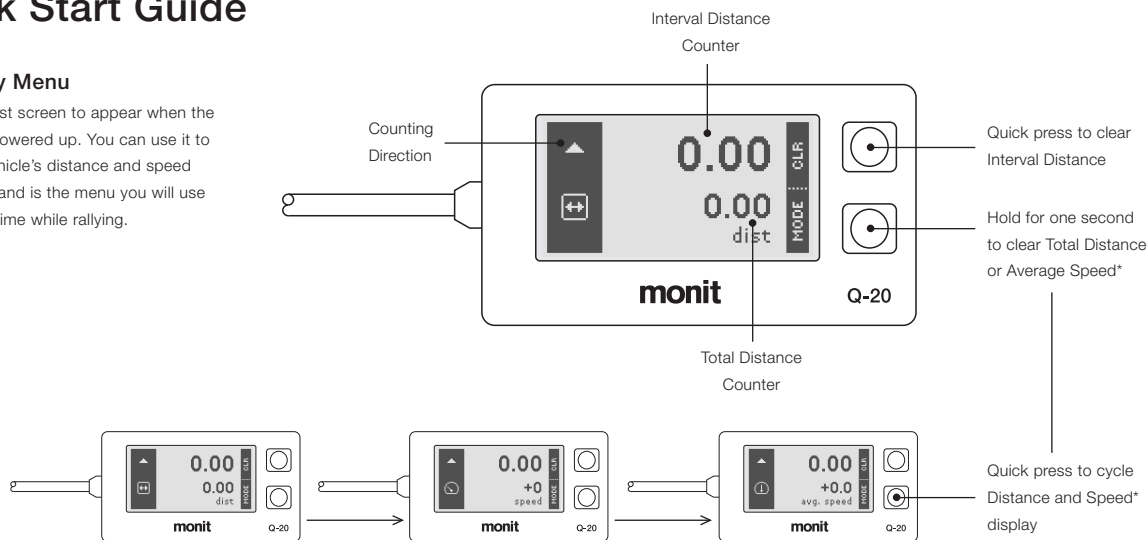
- Ensure that the Q-10/20, speed sensor and any attached switches are all grounded directly to a ground point on the vehicle's engine management computer. Do not use the vehicle's chassis.
- Physically move the Q-10/20 wiring away from other wires in your vehicle.

If the problem persists, seek the assistance of a qualified automotive electrician or contact your Monit dealer.

# Quick Start Guide

## Telemetry Menu

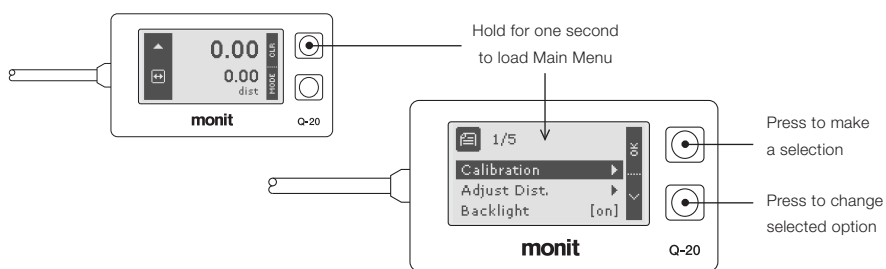
This is the first screen to appear when the Q-10/20 is powered up. You can use it to view your vehicle's distance and speed information, and is the menu you will use most of the time while rallying.



\* Q-20 only.

## Main Menu

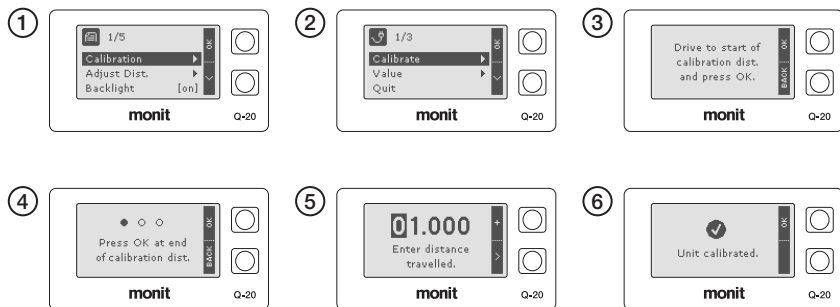
The Q-10/20's powerful mobile-phone style menu system lets you quickly adjust settings, access advanced features and perform an accurate calibration.



## Calibration

Before you can use the Q-10/20 to measure distance, you will need to perform a calibration. The device includes a special calibration wizard that guides you through this process using simple on-screen instructions.

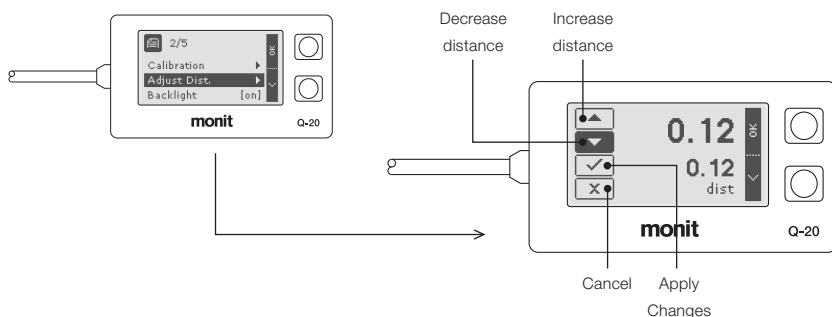
- For best results use a distance of at least 1 km/mile.
- You can also manually enter a calibration number by selecting 'Value' in Step 2.



## Distance Adjustment

The Q-10/20 includes a simple distance adjustment menu that lets you align the distance counters to a road book entry, or preset an initial value.

- Both counters are adjusted at the same time.



## Turning On & Off

The Q-10/20 turns off automatically after five minutes of inactivity. Press any of the buttons, or start the vehicle moving to turn it on again.

## Auxiliary Input

The Auxiliary Input (white colored wire) can be used to attach an external hand or foot switch to the Q-10/20. Once fitted, this can be configured in software to perform one of the tasks shown in the table.

To change the assigned task, navigate to Main Menu > Advanced > Auxiliary and make a selection from the list displayed.

Task Name	Description
Clear Interval	Clears the Interval Distance (default).
Freeze	Toggles Freeze mode on and off. When Freeze mode is on, the display will stop updating while the counters continue to operate in the background.
Counting Up/Dn	When the input is held low the distance will decrement. When held high the distance will increment.